


■ 特性

- 国际通用全范围交流输入
- 内置 EMI 滤波器
- 过压/过温/过负载保护
- 100%负载老化
- 冷却方式：自冷
- LED 电源指示灯
- 高效率，长寿命和高信赖度
- 可根据用户选型定制

■ Characteristic

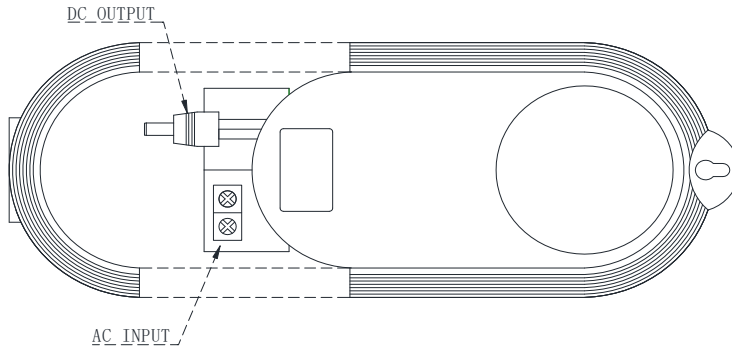
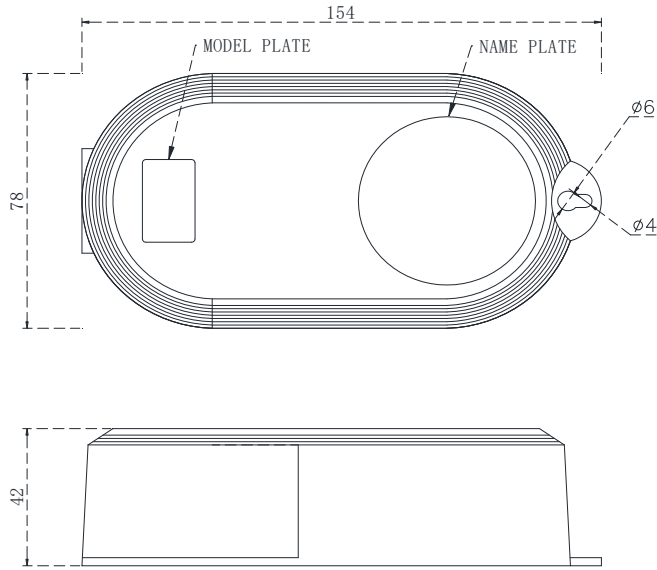
- International Universal AC input/ Full range
- Built-in EMI filter
- Over voltage& temperature & Load Protections
- 100% full load burn-in test
- Cooling: Self-cooling
- LED indicator for power
- High efficiency, long life and high reliability
- Can be customized according to user selection

电气规格 SPECIFICATION

型号 Model		SY-A8/24			
输出 Output	直流电压 DC Voltage	24V		24V	
	额定电流 Rated Current	1A		2A	
	电流范围 Current Range	0~1A		0~2A	
	额定功率 Rated Power	24W		48W	
	波纹和噪声(最大)备注2 Ripple & Noise Max Note	120mVp-p		120mVp-p	
	电压精度备注3 Voltage Tolerance Note 3	±5%		±5%	
	线性调整率备注4 Line Regulation (Note 4)	±1%		±1%	
	负载调整率备注5 Load Regulation (Note 5)	±2%		±2%	
启动, 上升, 保持时间 Setup、Rise Time	500ms 200ms 30ms 满载时 Full load				
输入 Input	交流插头 AC plug	AC 插头-UK	AC 插头-CN	AC 插头-EN	AC 插头-US
	电压范围 Voltage Range	100Vac~240Vac			
	频率范围 Frequency Range	50/60Hz			
	效率最大 Efficiency (Typ.)	83%		85%	
	交流电流 Ac Current (Typ.)	0.4A/200Vac			
	浪涌电流最大 Inrush Current (Typ.)	35A/220Vac			
	漏电流最大 Leakage Current (Typ.)	< 0.35mA/220Vac			
保护 Protection	过负载 Over Load	额定输出功率的 Rated output power: 110%~240%			
	过电流 Over Voltage	保护模式: 打嗝模式, 负载异常条件移除后可自动恢复 Protection mode: Hiccup mode, recovers automatically after fault condition is removed			
	过温度备注5 Over Temp (Note 5)	额定输出电流的 Rated output Voltage: 115%~135%			
		保护模式: 二极管钳位 Protection mode: diode clamp			
环境 Environment	工作温度 Working Temp	-0℃~50℃ (请参照“减额曲线” Refer to "Derating curve")			
	工作湿度 Working Humidity	0~90%RH, 无冷凝 non-condensing			
	储存温度、湿度 Storage Temp、Humidity	-10℃~75℃ 10~98%RH, 无冷凝 non-condensing			
	温度系数 Temp. Coefficient	±0.03%/℃ (0~50℃)			
	耐震荡 Vibration	10~500Hz, 5G 10分钟/周期, X、Y、Z轴各60分钟 10Min/1 cycle, period for 60min, each along X,Y,Z axes			
安规 和电磁兼容 备注7 Safety & EMC Note 7	安全规范 Safety Standards	GB4943, EN60950			
	耐压 Withstand Voltage	I/P-O/P: 2KVac			
	绝缘抗阻 Isolation Resistance	I/P-O/P: 100M Ohms/500VDC/25℃/70%RH			
	电磁兼容发射 EMI Conduction Radiation	符合 Compliance to :EN55022, EN61000-3-2, 3, FCC part15, GB9254 class B, GB17625.1			
其它 Others	电磁兼容抗扰度 EMS Immunity	符合 Compliance to :EN61000-4-2, 3, 4, 5, 6, 8, 11, A 级轻工业标准 light industry level, criteria A			
	寿命 Life	2年: 100%负载, 30℃, 8小时/天 2 years: 100% load, 30, 8 hours / day			
	MTBF	≥1415.6Khrs			
	尺寸 Dimension	154*78*42mm (L*W*H)			
连接器 Connector	包装 Packing	0.2Kg 100pcs/20Kg			
	插头 Plug/配线 Wiring	详见第二页, 其它型号可依客户需求订制 For second pages, other models can be customized according to customer requirements.			
备注 Note	<p>1. 如未特别说明, 所有规格参数均在输入为 230VAC、额定负载、25℃环境温度下进行测量。 If no special instructions are specified, all the specifications are measured at the input of 230VAC, the rated load, the ambient temperature of 25℃.</p> <p>2. 波纹和噪声测量方法: 使用一条 12" 双绞线, 同时终端要并联 0.1uF 和 47uF 的电容, 在 20MHZ 带宽下进行测量。 Ripple and noise measuring method: using a 12" twisted pair, at the same time terminal to parallel 0.1uF and 47uF capacitor, in the 20MHZ bandwidth measurement.</p> <p>3. 精度: 包含设定误差, 线性调整率和负载调整率。 Curacy: contains setting error, linear adjustment rate and load adjustment rate.</p> <p>4. 线性调整率测量方法: 在额定负载下, 从低电压到高电压测试。 Linear adjust rate measurement: at rated load, from a low voltage to a high voltage test.</p> <p>5. 负载调整率测量方法: 从 10% 到 100%。 Load adjustment rate measurement method: from 20% to 100%</p> <p>6. 过温保护是由控制 IC 的功能决定。 Overtemperature protection is determined by the function of the control IC.</p>				

尺寸 Dimension

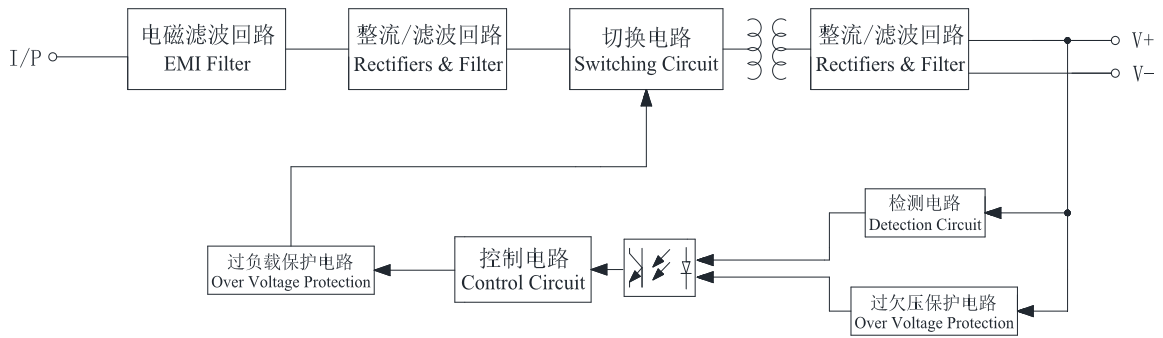
单位: mm



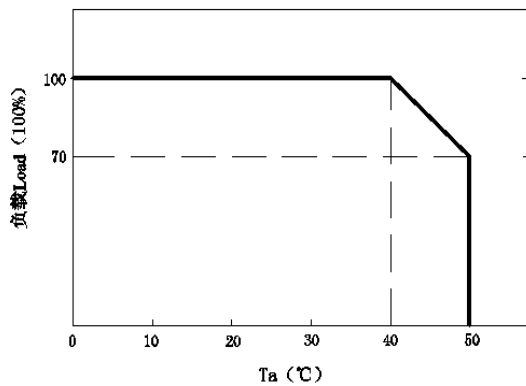
标准型
Standard type:
PIJ=2.1*5.5

PIJ	
P/N	输出 Output
中心 Center	+

■ 方框图



■ 减额曲线 Derating Curve



■ 静态特性曲线 Static Characteristics

