



■ 特性

- 国际通用全范围交流输入
- 内置 EMI 滤波器
- 具有过流及短路保护
- 过压/过温/过负载保护
- 100%负载老化
- 冷却方式：自冷
- LED 电源指示灯
- 高效率，长寿命和高信赖度
- 可根据用户选型定制

■ Characteristic

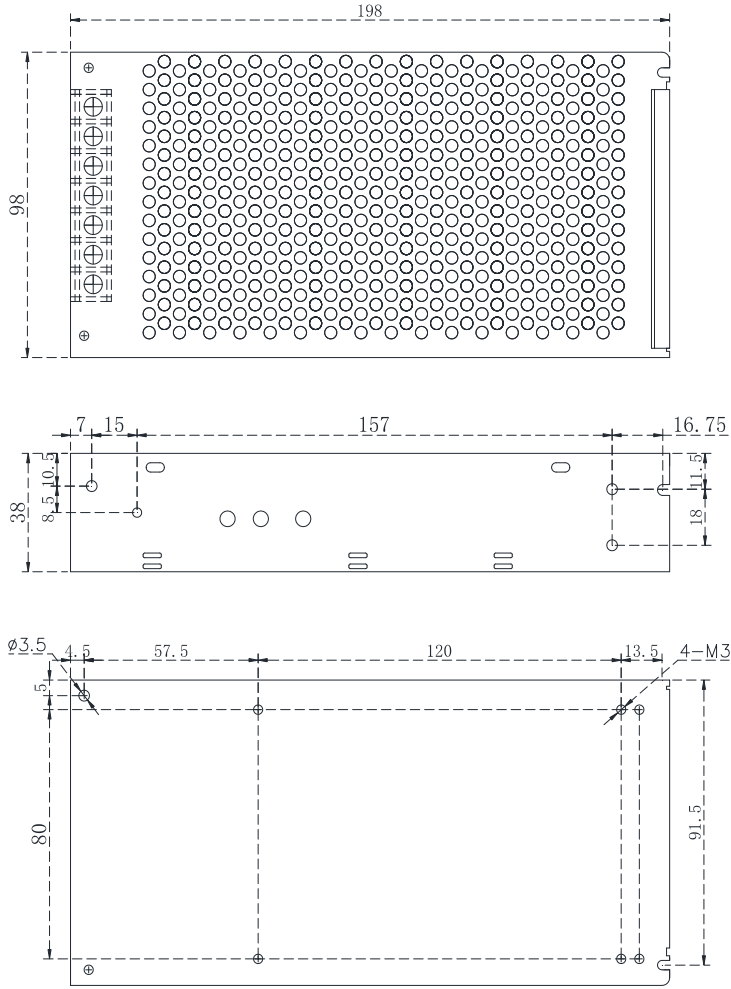
- International Universal AC input/ Full range
- Built-in EMI filter
- Short circuit/Over load Protections
- Over voltage& temperature & Load Protections
- 100% full load burn-in test
- Cooling: Self-cooling
- LED indicator for power
- High efficiency, long life and high reliability
- Can be customized according to user selection

电气规格 SPECIFICATION

| 型号 MODEL | | AD-S05120AA | AD-S09100AA | AD-S12100AA | AD-S1580AA | AD-S2450AA | AD-S4825AA |
|---|--|---|-------------|-------------|------------|------------|------------|
| 输出 Output | 直流电压 DC Voltage | 5V | 9V | 12V | 15V | 24V | 48V |
| | 额定电流 Rated Current | 20A | 12A | 10A | 8A | 5A | 2.5A |
| | 电流范围 Current Range | 0~20A | 0~12A | 0~10A | 0~8A | 0~5A | 0~2.5A |
| | 额定功率 Rated Power | 100W | 108W | 120W | 120W | 120W | 120W |
| | 波纹与噪声最大(备注2) Ripple & Noise Max (Note2) | 120mVp-p | 120mVp-p | 120mVp-p | 120mVp-p | 120mVp-p | 120mVp-p |
| | 电压调整范围 Voltage Adj. Range | ±10% | ±10% | ±10% | ±10% | ±10% | ±10% |
| | 电压精度(备注3) Voltage Tolerance (Note3) | ±7% | ±7% | ±6% | ±5% | ±5% | ±5% |
| | 线性调整率(备注4) Line Regulation (Note4) | ±0.5% | ±0.5% | ±1% | ±1% | ±1% | ±1% |
| | 负载调整率(备注5) Load Regulation (Note5) | ±2.0% | ±1.0% | ±1.0% | ±1.0% | ±1.0% | ±1.0% |
| | 启动、上升时间 Setup、Rise Time | 500ms, 30ms/220Vac (满载时 Full load) | | | | | |
| 保持时间(Typ.) Hold up time (Typ.) | 100ms/220Vac (满载时 Full load) | | | | | | |
| 输入 Input | 电压范围 Voltage Range | 100~240Vac | | | | | |
| | 频率范围 Frequency Range | 50/60Hz | | | | | |
| | 效率(Typ.) Efficiency (Typ.) | 82% | 82% | 85% | 85% | 82% | 82% |
| | 交流电流(Typ.) Ac Current (Typ.) | 1.8A/220Vac | | | | | |
| | 浪涌电流(Typ.) Inrush Current (Typ.) | 冷启动 Cold Start: 50A/220Vac | | | | | |
| 保护 Protection | 漏电流(Typ.) Leakage Current (Typ.) | 3.5mA | | | | | |
| | 过载保护 Over load protection | 110%~135% 保护模式：打嗝模式，负载异常条件移除后可自动恢复 Protection type: Hiccup mode, recovers automatically after fault condition is removed | | | | | |
| | 过压保护 Over Voltage protection | 115%~150% 保护模式：打嗝模式，过压异常条件移除后可自动恢复 Protection type: Hiccup mode, recovers automatically after fault condition is removed | | | | | |
| 环境 Environment | 过温保护 Over-temperature protection | 保护模式：晶体内部接点温度超过 140℃，关闭输出，当温度恢复正常可自动恢复 Protected Mode: crystal internal contact temperature exceeds 140℃, turn off the output, when the temperature returns to normal automatic recovery | | | | | |
| | 工作温度 Working Temp | -10℃~60℃(请参照“减额曲线” Refer to "derating curve") | | | | | |
| | 工作湿度 Working Humidity | 20~90%RH, 无冷凝 non-condensing | | | | | |
| | 储存温度、湿度 Storage Temp、Humidity | -30℃~75℃ 10~98%RH, 无冷凝 non-condensing | | | | | |
| | 温度系数 Temp Coefficient | ±0.03% /℃ (0~50℃) (+5V) | | | | | |
| 安规和电磁兼容 (备注7) Safety & EMC (Note 7) | 耐振荡 Vibration | 10~500Hz, 5G 10分钟/周期, X、Y、Z 轴各 60分钟 10Min/1 cycle, period for 60min, each along X,Y,Z axes | | | | | |
| | 安全规范备注6 Safety Standards Note 6 | GB4943, EN60950 | | | | | |
| | 耐压 Withstand Voltage | I/P-O/P: 3KVAC I/P-FG: 1.5KVAC O/P-FG: 1.5KVAC | | | | | |
| | 绝缘阻抗 Isolation Resistance | I/P-O/P I/P-FG O/P-FG: 100M Ohms/500VDC/25℃/70%RH | | | | | |
| | 电磁兼容发射 EMI Conduction Radiation | 符合 Compliance to :EN55022, EN61000-3-2, 3. FCC part15, GB9254 class B, GB17625.1 | | | | | |
| 其它 Others | 电磁兼容抗扰度 EMS Immunity | 符合 Compliance to :EN61000-4-2, 3, 4, 5, 6, 8, 11, A 级轻工业标准 light industry level, criteria A | | | | | |
| | MTBF | ≥100000h. | | | | | |
| 备注 Note | 尺寸 Dimension/包装 Packing | 198*98*42mm(L*W*H) / 198*98*38mm(L*W*H) 0.4KG; 100pcs/40Kg | | | | | |
| | 1. 如未特别说明，所有规格参数均在输入为 220VAC、额定负载、25℃环境温度下进行测量。 All parameters NOT specially mentioned are measured at 220VAC input, rated load and 25℃ of ambient temperature. | | | | | | |
| | 2. 波纹和噪声测量方法：使用一条 12" 双绞线，同时终端要并联 0.1uF 和 47uF 的电容，在 20MHZ 带宽下进行量测。 Ripple & noise are measured at 20MHZ of bandwidth by using a 12" twisted pair-wire terminated with a 0.1uF & 47uF parallel capacitor | | | | | | |
| | 3. 精度：包含设定误差，线性调整率和负载调整率。 Tolerance: includes set up tolerance, line regulation and load regulation | | | | | | |
| | 4. 线性调整率测量方法：在额定负载下，从低电压到高电压测试。 Line regulation is measured from low line to high line at rated load. | | | | | | |
| | 5. 负载调整率测量方法：从 0% 到 100% 额定负载。 Load regulation measurement: from 0% to rated load of 100% | | | | | | |
| | 6. 按照 GB4943.1 的要求，电源仅适用于海拔 2000 米以下地区和非热带气候条件下安全使用。 In accordance with the requirements of GB4943.1 power applies only to an altitude of 2000 meters in the following areas and non-tropical climate conditions for safe use | | | | | | |
| 7. 电源被视为系统内元件的一部分，需结合终端设备进行电磁兼容相关确认。 The power supply is considered part of the system components, to be with terminal equipment related to electromagnetic compatibility Relevant confirmation. | | | | | | | |

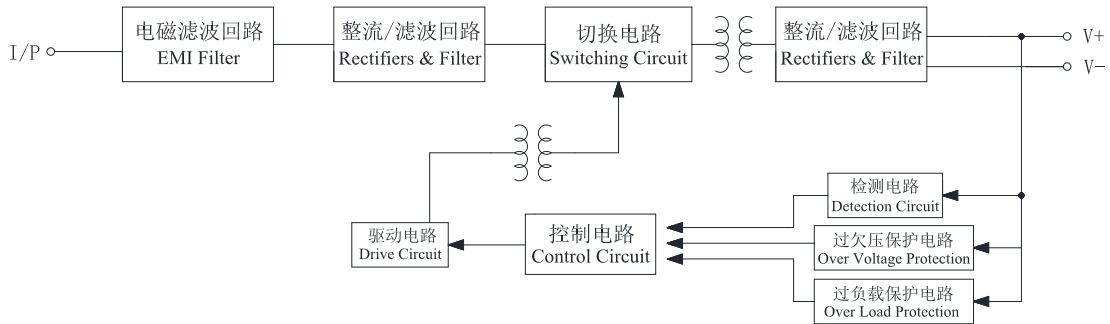
尺寸 Size

单位: mm

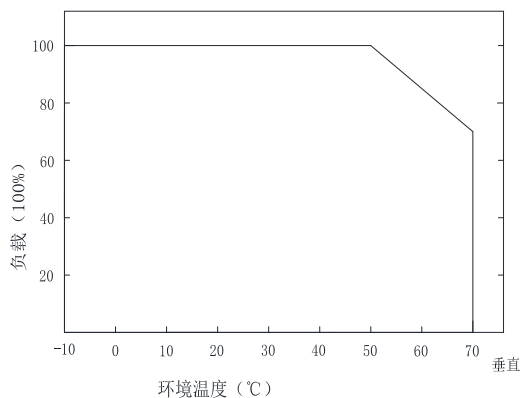


| 脚位 Pin No. | 引进功能 Assignment |
|---------------|--------------------|
| 1 | AC/L |
| 2 | AC/N |
| 3 | FG \perp |
| 4 | DC/V- |
| 5 | DC/V- |
| 6 | DC/V+ |
| 7 | DC/V+ |

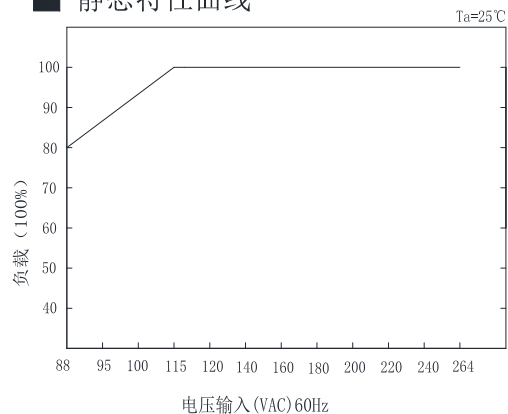
■ 方框图

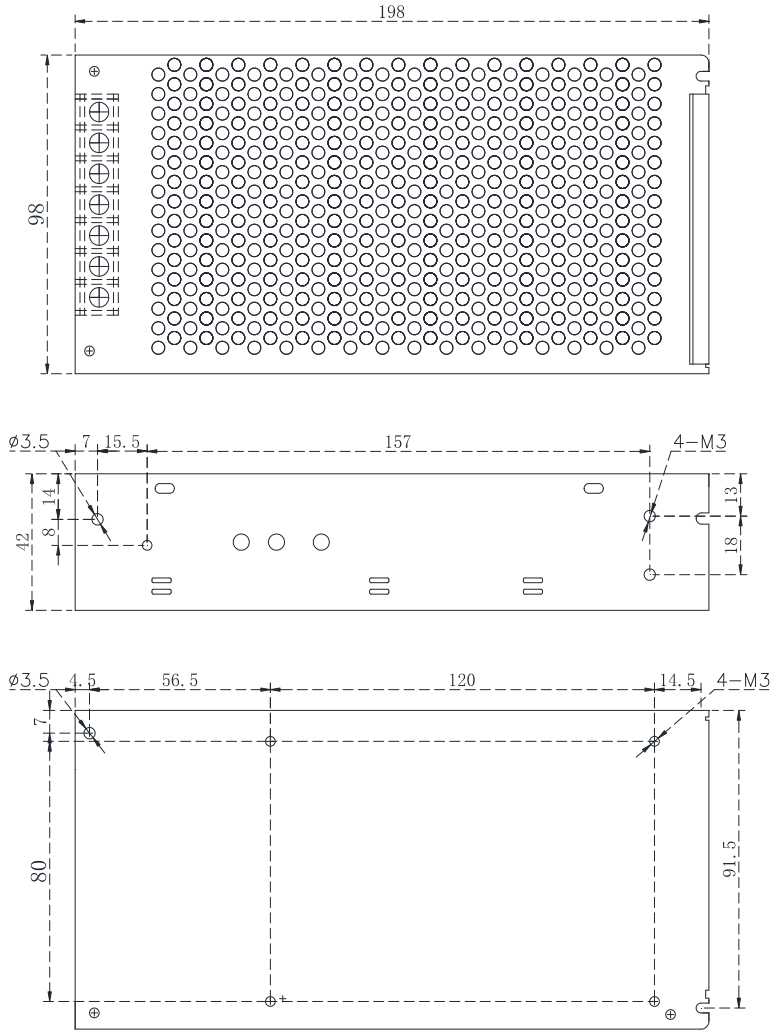


■ 减额曲线

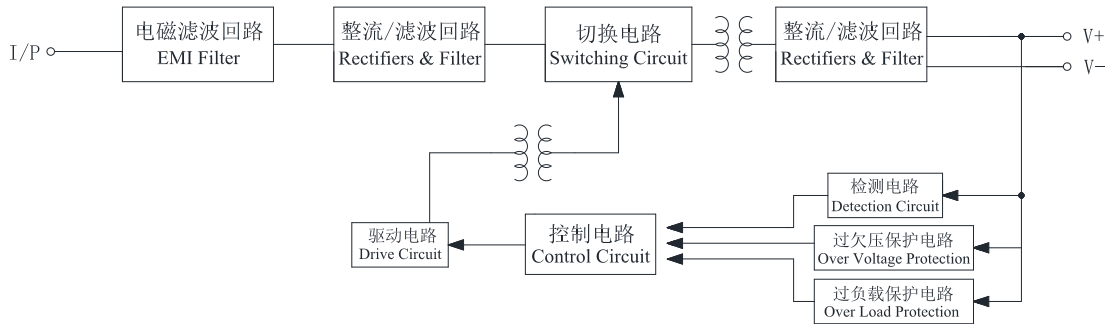


■ 静态特性曲线

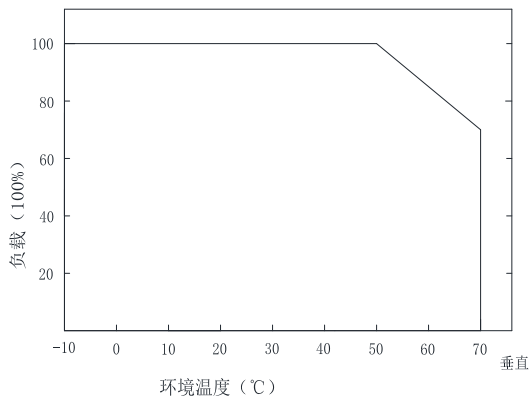




■ 方框图



■ 减额曲线



■ 静态特性曲线

