
**■ 特性**

- 国际通用全范围交流输入
- 适合 POE 交换机内置供电
- 过压/过温/过负载保护
- 100%负载老化
- 冷却方式：自冷
- 高效率，长寿命和高信赖度
- 可根据用户参数生产

**■ Characteristic**

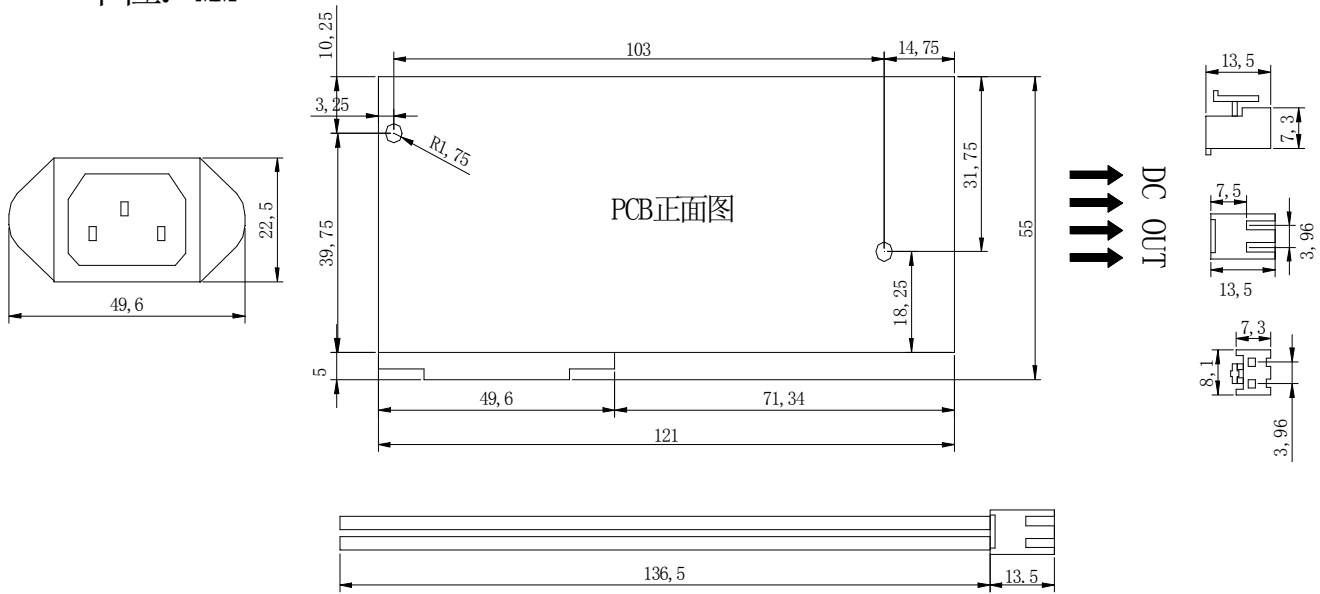
- International Universal AC input/ Full range
- Suitable for POE switch built-in power supply
- Over voltage& temperature & Load Protections
- 100% full load burn-in test
- Cooling: Self-cooling
- High efficiency, long life and high reliability
- Can be customized according to user selection

**电气规格 SPECIFICATOIN**

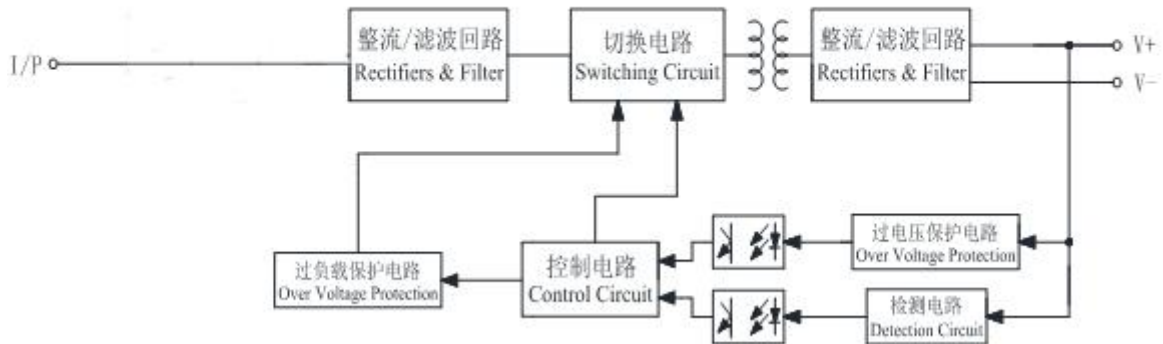
| 型号 Model   |   | POE-96W-15   | POE-96W-24 | POE-96W-48 | POE-96W- 52 |
|--|---|--|------------|------------|-------------|
| 输出<br>Output   | 直流电压 DC Voltage   | 15V  | 24V        | 48V        | 52V         |
|  | 额定电流 Rated Current  | A  | 4A         | 2A         | 1.85A       |
|  | 电流范围 Current Range  | 0-6.5A   | 0-4A       | 0-2A       | 0-1.85A     |
|  | 额定功率 Rated Power  | 96W  | 96W        | 96W        | 96W         |
|  | 波纹和噪声(最大)备注2 Ripple & Noise Max Note  | 240MV  | 240MV      | 480MV      | 480MV       |
|  | 电压精度备注3 Voltage Tolerance Note 3  | ±5%  | ±5%        | ±5%        | ±5%         |
|  | 线性调整率备注4 Line Regulation (Note 4)   | ±3%  | ±3%        | ±3%        | ±3%         |
|  | 负载调整率备注5 Load Regulation (Note 5)   | ±5%  | ±5%        | ±5%        | ±5%         |
| 启动, 上升, 保持时间 Setup, Rise Time                          |   | 500ms 200ms 30ms 满载时 Full load   |            |            |             |
| 输入<br>Input  | 电压范围 Voltage Range  | 175Vac~240Vac  |            |            |             |
|  | 频率范围 Frequency Range  | 50/60Hz  |            |            |             |
|  | 效率最大 Efficiency (Typ.)  | 85%  | 86%        | 87%        | 88%         |
|  | 交流电流 Ac Current (Typ.)  | 1.4A/230VAC  |            |            |             |
|  | 浪涌电流最大 Inrush Current (Typ.)  | 50A/230VAC   |            |            |             |
| 漏电流最大 Leakage Current (Typ.)                           | 0.75Ma/240VAC   |  |            |            |             |
| 保护<br>Protection                                       | 过负载 Over Load   | 额定输出功率的 Rated output power: 110%~170%<br>保护模式: 打嗝模式, 负载异常条件移除后可自动恢复<br>Protection type: Hiccup mode, recovers automatically after fault condition is removed   |            |            |             |
|  | 过电压 Over Voltage  | 额定输出电流的 Rated output Voltage: 115%~175%<br>保护模式: 二极管钳位 Protection mode: diode clamp  |            |            |             |
|  | 过温度备注5 Over Temp (Note 5)   | 晶体内部接点温度超过 140℃, 启动过温保护。<br>Crystal internal contact temperature exceeds 140 °C, start over temperature protection.<br>保护模式: 关闭输出电压, 温度下降后自动恢复<br>Protection mode: turn off the output voltage, the temperature drops automatically resume |            |            |             |
| 环境<br>Environment                                      | 工作温度 Working Temp   | -20℃~60℃(请参照“减额曲线” Refer to “Derating curve”)  |            |            |             |
|  | 工作湿度 Working Humidity   | 0~90%RH, 无冷凝 non-condensing  |            |            |             |
|  | 储存温度、湿度 Storage Temp, Humidity  | -10℃~75℃ 10~98%RH, 无冷凝 non-condensing  |            |            |             |
|  | 温度系数 Temp. Coefficient  | ±0.03%/℃ (0~50℃)   |            |            |             |
| 耐震荡 Vibration  | 10~500Hz, 5G 10分钟/周期, X、Y、Z轴各60分钟 10Min/1 cycle, period for 60min, each along X, Y, Z axes  |  |            |            |             |
| 耐压和绝缘抗阻<br>Withstand voltage and insulation resistance | 耐压 Withstand Voltage  | I/P-0/P: 2.5KVac   |            |            |             |
|  | 绝缘抗阻 Isolation Resistance   | I/P-0/P: 100M Ohms/500VDC/25℃/70%RH  |            |            |             |
| 其它<br>Others   | 寿命 Life   | 1年: 100%负载, 30℃, 8小时/天 2 years: 100% load, 30, 8 hours / day   |            |            |             |
|  | 尺寸 Dimension  | 121*55*27mm(L*W*H)   |            |            |             |
| 连接器<br>Connector                                       | 插头 Plug/配线 Wiring   | 详见第二页, 其它型号可依客户需求订制<br>For second pages, other models can be customized according to customer requirements.  |            |            |             |
| 备注<br>Note   | <p>1. 如未特别说明, 所有规格参数均在输入为 230VAC、额定负载、25℃环境温度下进行测量。<br/>If no special instructions are specified, all the specifications are measured at the input of 230VAC, the rated load, the ambient temperature of 25℃.</p> <p>2. 波纹和噪声测量方法: 使用一条 12" 双绞线, 同时终端要并联 0.1uF 和 47uF 的电容, 在 20MHZ 带宽下进行测量。<br/>Ripple and noise measuring method: using a 12" twisted pair, at the same time terminal to parallel 0.1uF and 47uF capacitor, in the 20MHZ bandwidth measurement.</p> <p>3. 精度: 包含设定误差, 线性调整率和负载调整率。<br/>Curacy: contains setting error, linear adjustment rate and load adjustment rate.</p> <p>4. 线性调整率测量方法: 在额定负载下, 从低电压到高压测试。<br/>Linear adjust rate measurement: at rated load, from a low voltage to a high voltage test.</p> <p>5. 负载调整率测量方法: 从 10%到 100%。<br/>Load adjustment rate measurement method: from 20% to 100%</p> <p>6. 过温保护是由控制 IC 的功能决定。<br/>Overtemperature protection is determined by the function of the control IC.</p> |  |            |            |             |

尺寸 Dimension

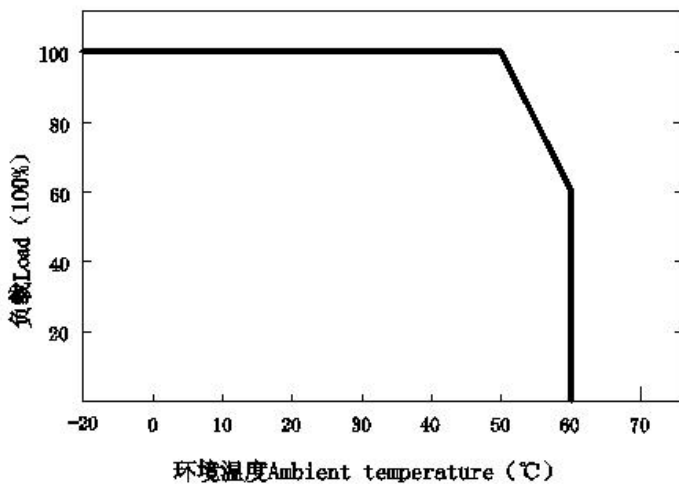
单位: MM



方框图



减额曲线 Derating Curve



静态特性曲线 Static Characteristics

