


**特性**

- 国际通用全范围交流输入
- 内置 EMI 滤波器
- 过压/过温/过负载保护
- 100%负载老化
- 冷却方式：自冷
- LED 电源指示灯
- 高效率，长寿命和高信赖度
- 可根据用户选型定制

**Characteristic**

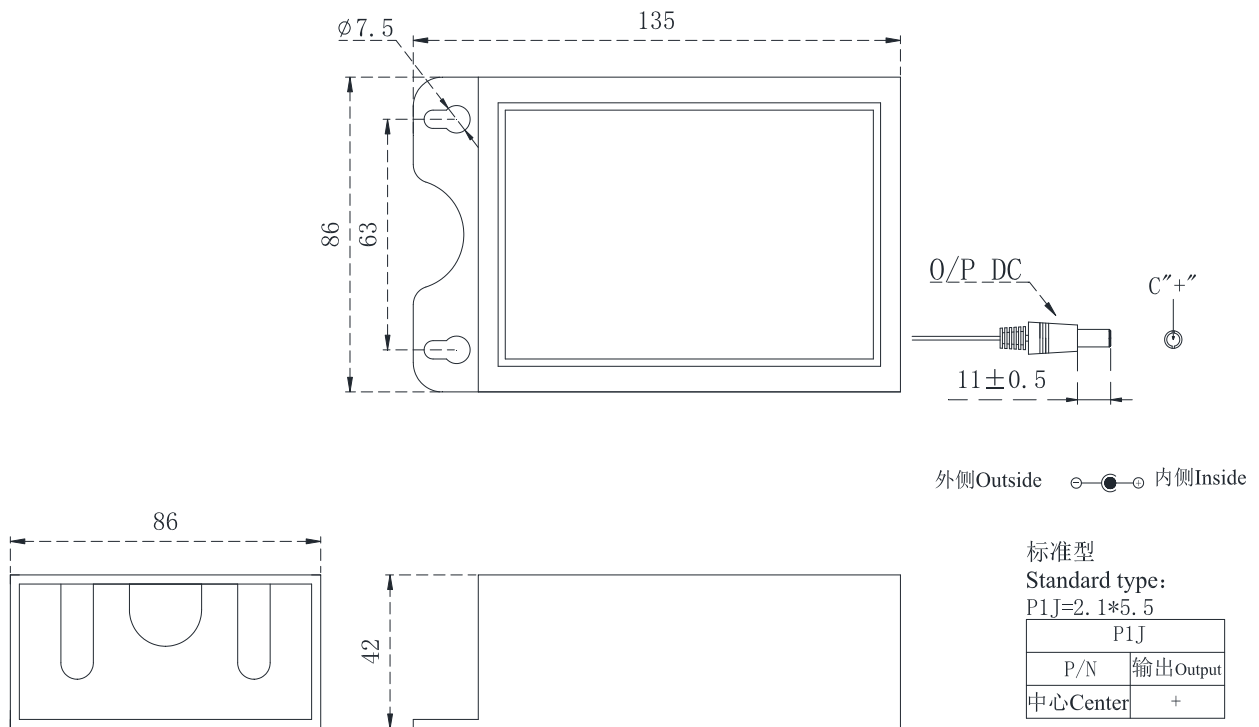
- International Universal AC input/ Full range
- Built-in EMI filter
- Over voltage& temperature & Load Protections
- 100% full load burn-in test
- Cooling: Self-cooling
- LED indicator for power
- High efficiency, long life and high reliability
- Can be customized according to user selection

**电气规格 SPECIFICATION**

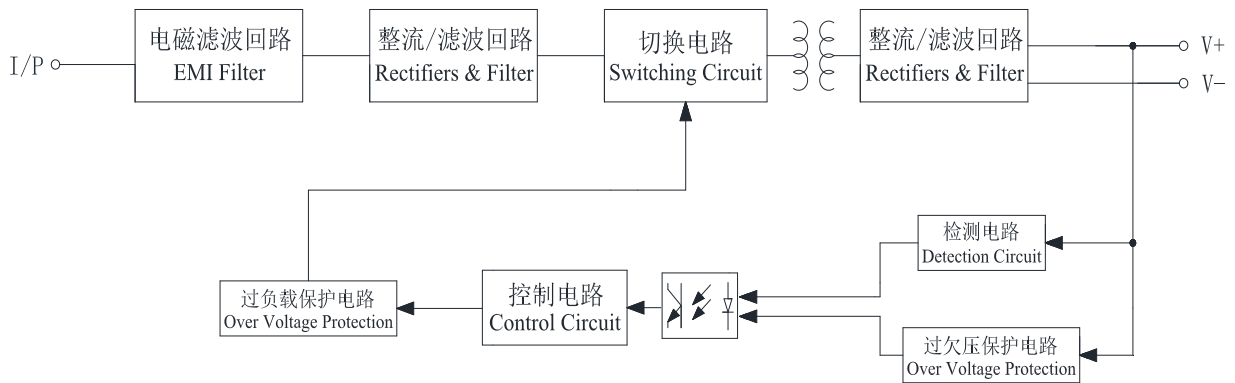
| 型号 Model                                     |   | AD-S1220FSD   |          | AD-S2420FSD |          |
|--|---|---|----------|-------------|----------|
| 输出<br>Output                                 | 直流电压 DC Voltage   | 24V   |          | 24V         |          |
|  | 额定电流 Rated Current  | 1A  |          | 2A          |          |
|  | 电流范围 Current Range  | 0~1A  |          | 0~2A        |          |
|  | 额定功率 Rated Power  | 24W   |          | 48W         |          |
|  | 波纹和噪声(最大)备注2 Ripple & Noise Max Note  | 120mVp-p  |          | 120mVp-p    |          |
|  | 电压精度备注3 Voltage Tolerance Note 3  | ±5%   |          | ±5%         |          |
|  | 线性调整率备注4 Line Regulation (Note 4)   | ±1%   |          | ±1%         |          |
|  | 负载调整率备注5 Load Regulation (Note 5)   | ±2%   |          | ±2%         |          |
| 启动, 上升, 保持时间 Setup、Rise Time                 | 500ms 200ms 30ms 满载时 Full load  |   |          |             |          |
| 输入<br>Input                                  | 交流插头 AC plug  | AC 插头-UK  | AC 插头-CN | AC 插头-EN    | AC 插头-US |
|  | 电压范围 Voltage Range  | 100Vac~240Vac   |          |             |          |
|  | 频率范围 Frequency Range  | 50/60Hz   |          |             |          |
|  | 效率最大 Efficiency (Typ.)  | 83%   |          | 85%         |          |
|  | 交流电流 Ac Current (Typ.)  | 0.4A/200Vac   |          |             |          |
|  | 浪涌电流最大 Inrush Current (Typ.)  | 35A/220Vac  |          |             |          |
|  | 漏电流最大 Leakage Current (Typ.)  | < 0.35mA/220Vac   |          |             |          |
| 保护<br>Protection                             | 过负载 Over Load   | 额定输出功率的 Rated output power: 110%~240%   |          |             |          |
|  | 过电流 Over Voltage  | 保护模式: 打嗝模式, 负载异常条件移除后可自动恢复<br>Protection type: Hiccup mode, recovers automatically after fault condition is removed |          |             |          |
|  | 过温度备注5 Over Temp (Note 5)   | 额定输出电流的 Rated output Voltage: 115%~135%   |          |             |          |
|  |   | 保护模式: 二极管钳位 Protection mode: diode clamp  |          |             |          |
| 环境<br>Environment                            | 工作温度 Working Temp   | -0℃~50℃ (请参照“减额曲线” Refer to "Derating curve")   |          |             |          |
|  | 工作湿度 Working Humidity   | 0~90RH, 无冷凝 non-condensing  |          |             |          |
|  | 储存温度、湿度 Storage Temp、Humidity   | -10℃~75℃ 10~98RH, 无冷凝 non-condensing  |          |             |          |
|  | 温度系数 Temp. Coefficient  | ±0.03%/℃ (0~50℃)  |          |             |          |
|  | 耐震荡 Vibration   | 10~500Hz, 5G 10分钟/周期, X、Y、Z轴各60分钟 10Min/1 cycle, period for 60min, each along X,Y,Z axes                            |          |             |          |
| 安规<br>和电磁兼容<br>备注7<br>Safety & EMC<br>Note 7 | 安全规范 Safety Standards   | GB4943, EN60950   |          |             |          |
|  | 耐压 Withstand Voltage  | I/P-O/P: 2KVac  |          |             |          |
|  | 绝缘抗阻 Isolation Resistance   | I/P-O/P: 100M Ohms/500VDC/25℃/70%RH   |          |             |          |
|  | 电磁兼容发射 EMI Conduction Radiation   | 符合 Compliance to :EN55022, EN61000-3-2, 3, FCC part15, GB9254 class B, GB17625.1                                    |          |             |          |
| 其它<br>Others                                 | 电磁兼容抗扰度 EMS Immunity  | 符合 Compliance to :EN61000-4-2, 3, 4, 5, 6, 8, 11, A 级轻工业标准 light industry level, criteria A                         |          |             |          |
|  | 寿命 Life   | 2年: 100%负载, 30℃, 8小时/天 2 years: 100% load, 30, 8 hours / day  |          |             |          |
|  | MTBF  | ≥1415.6Khrs   |          |             |          |
|  | 尺寸 Dimension  | 135*86*42mm (L*W*H) / 188*110*44mm (L*W*H)  |          |             |          |
| 连接器<br>Connector                             | 包装 Packing  | 0.2Kg 100pcs/20Kg/0.22Kg 100pcs/22Kg  |          |             |          |
|  | 插头 Plug/配线 Wiring   | 详见第二页, 其它型号可依客户需求订制<br>For second pages, other models can be customized according to customer requirements.         |          |             |          |
| 备注<br>Note                                   | <p>1. 如未特别说明, 所有规格参数均在输入为 230VAC、额定负载、25℃环境温度下进行测量。<br/>If no special instructions are specified, all the specifications are measured at the input of 230VAC, the rated load, the ambient temperature of 25℃.</p> <p>2. 波纹和噪声测量方法: 使用一条 12" 双绞线, 同时终端要并联 0.1uF 和 47uF 的电容, 在 20MHZ 带宽下进行测量。<br/>Ripple and noise measuring method: using a 12" twisted pair, at the same time terminal to parallel 0.1uF and 47uF capacitor, in the 20MHZ bandwidth measurement.</p> <p>3. 精度: 包含设定误差, 线性调整率和负载调整率。<br/>Curacy: contains setting error, linear adjustment rate and load adjustment rate.</p> <p>4. 线性调整率测量方法: 在额定负载下, 从低电压到高电压测试。<br/>Linear adjust rate measurement: at rated load, from a low voltage to a high voltage test.</p> <p>5. 负载调整率测量方法: 从 10% 到 100%。<br/>Load adjustment rate measurement method: from 20% to 100%</p> <p>6. 过温保护是由控制 IC 的功能决定。<br/>Overtemperature protection is determined by the function of the control IC.</p> |   |          |             |          |

尺寸 Dimension

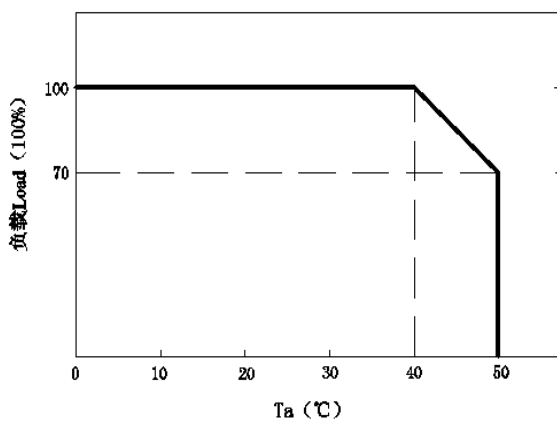
单位: mm



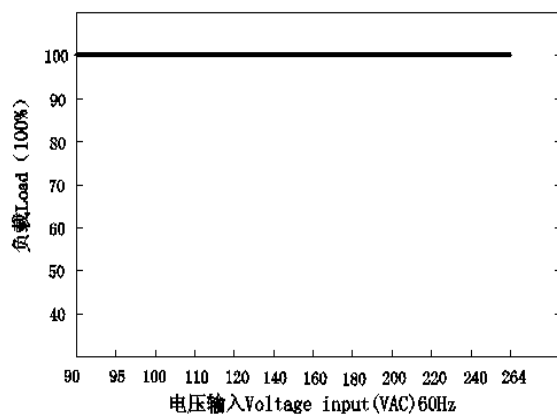
方框图



减额曲线 Derating Curve

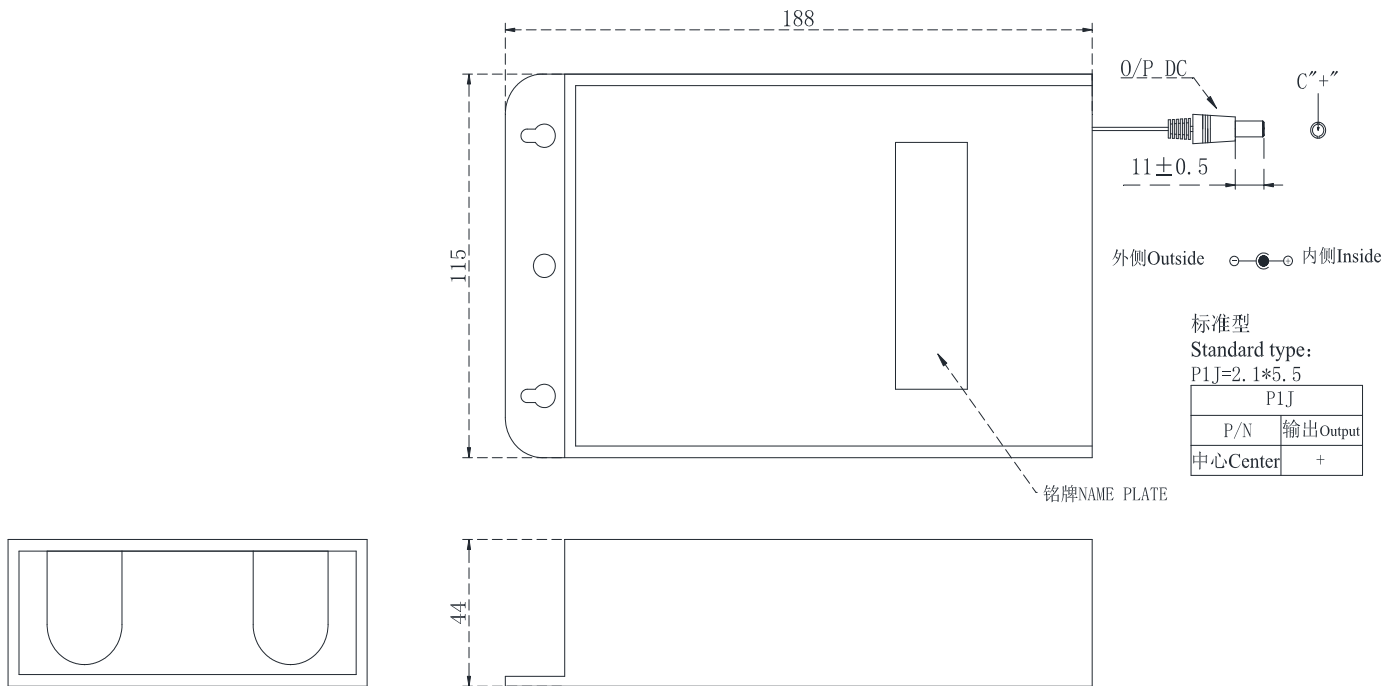


静态特性曲线 Static Characteristics

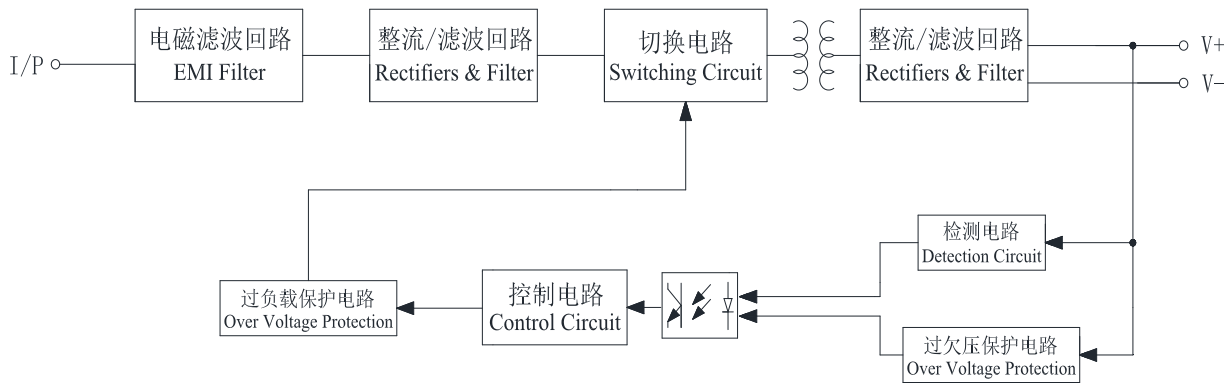


尺寸 Dimension

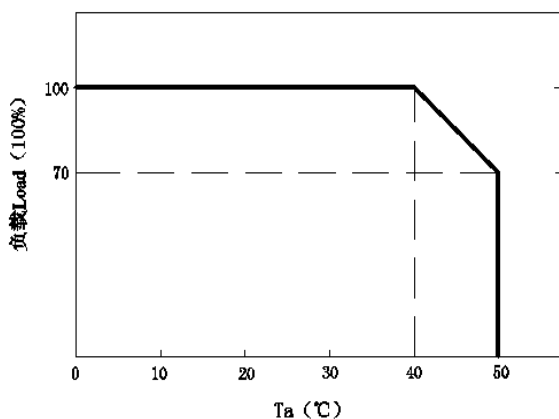
单位: mm



方框图



减额曲线 Derating Curve



静态特性曲线 Static Characteristics

